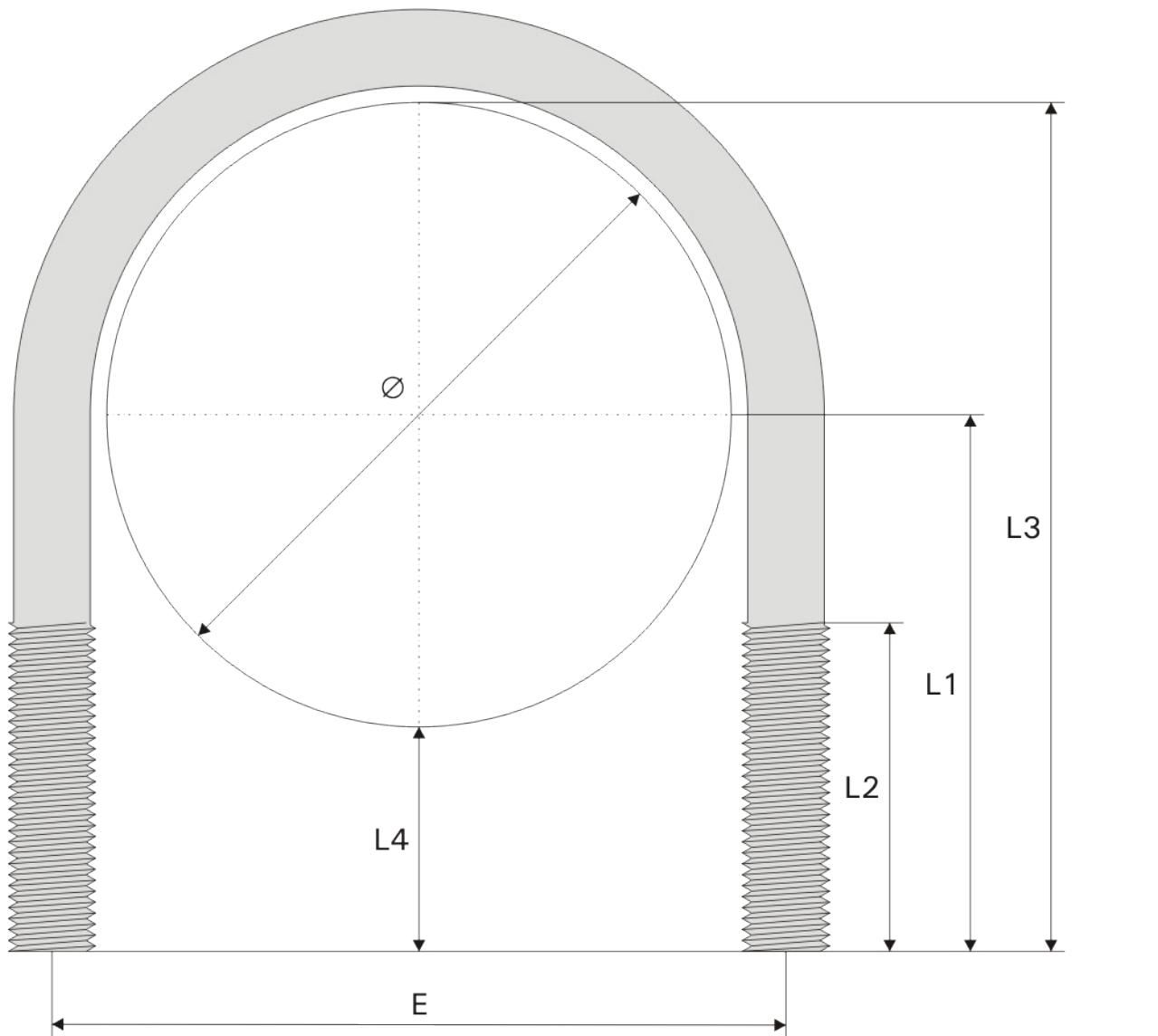




KRAMBEUGEL DIN 3570				285
Ø 22 – 508 mm	1/2" - 20"	M10 – M24		
RVS-304	RVS-316	THVZ	ELVZ	

info	www.hazal.nl	offerte	verkoop@hazal.nl
285		285	

- tussentijdse model wijzigingen voorbehouden -





KRAMBEUGEL DIN 3570
Ø 22 – 508 mm 1/2" - 20" M10 – M24 **285**

info www.hazal.nl offerte verkoop@hazal.nl
285 285

- tussentijdse model wijzigingen voorbehouden -

RVS-304	RVS-316	THVZ	ELVZ	M	Ø mm	inch	DN	E	L1	L2	L3	L4
285.22.0022	285.24.0022	285.21.0022	285.20.0022	M10	22	1/2"	15	33	39	30	50	28
285.22.0027	285.24.0027	285.21.0027	285.20.0027	M10	27	3/4"	20	40	47	40	60	33
285.22.0034	285.24.0034	285.21.0034	285.20.0034	M10	34	1"	25	48	49	40	66	32
285.22.0042	285.24.0042	285.21.0042	285.20.0042	M10	42	1 1/4"	32	56	55	50	76	34
285.22.0048	285.24.0048	285.21.0048	285.20.0048	M10	48	1 1/2"	40	62	58	50	82	34
285.32.0060	285.34.0060	285.31.0060	285.30.0060	M12	60	2"	50	76	67	50	97	37
285.32.0076	285.34.0076	285.31.0076	285.30.0076	M12	76	2 1/2"	65	94	75	50	113	37
285.32.0089	285.34.0089	285.31.0089	285.30.0089	M12	89	3"	80	106	82	50	126	37
285.32.0102	285.34.0102	285.31.0102	285.30.0102	M12	102	3 1/2"	90	119	91	50	142	40
285.42.0114	285.44.0114	285.41.0114	285.40.0114	M16	114	4"	100	136	98	60	155	41
285.42.0140	285.44.0140	285.41.0140	285.40.0140	M16	140	5"	125	164	105	60	175	35
285.42.0168	285.44.0168	285.41.0168	285.40.0168	M16	168	6"	150	192	117	60	201	33
285.42.0194	285.44.0194	285.41.0194	285.40.0194	M16	194	7"	175	218	136	60	233	39
285.52.0219	285.54.0219	285.51.0219	285.50.0219	M20	219	8"	200	248	154	70	263	44
285.52.0273	285.54.0273	285.51.0273	285.50.0273	M20	273	10"	250	302	178	70	314	41
285.52.0324	285.54.0324	285.51.0324	285.50.0324	M20	324	12"	300	352	203	70	365	41
285.72.0356	285.74.0356	285.71.0356	285.70.0356	M24	356	14"	350	402	233	70	411	55
285.72.0406	285.74.0406	285.71.0406	285.70.0406	M24	406	16"	400	452	260	70	463	57
285.72.0457	285.74.0457	285.71.0457	285.70.0457	M24	457	18"	450	503	286	70	514	57
285.72.0508	285.74.0508	285.71.0508	285.70.0508	M24	508	20"	500	554	311	70	565	57